

THE INFORMATION CONTAINED IN THIS DOCUMENT IS PROPRIETARY TO ARCOPLAST. ALL COPYRIGHTS AND OTHER PROPRIETARY RIGHTS APPLICABLE SHALL REMAIN AT ALL TIMES ARCOPLAST'S PROPERTY. DOCUMENTS SHALL NOT BE USED, COPIED OR HARVESTED FROM THE CAD FILE. THE INFORMATION CONTAINED WITHIN WITHOUT THE WRITTEN CONSENT OF ARCOPLAST. DOCUMENTS, DESIGNS, DRAWINGS AND SPECIFICATIONS ARE CONCEPTUAL IN NATURE AND AND ARE INTENDED TO SET FORTH DESIGN INTENT ONLY AND ARE NOT TO BE USED FOR ENGINEERING PURPOSES.

16 GAUGE GALVANIZED METAL FURRING STRIPS
2.5" (63.5 mm) x CONTINUOUS LENGTH
SPACED AT 16" (400 mm) O.C. (TYP.) OR
AT LOCATIONS OF STUD SPACING

DRYWALL SCREW TO ATTACH METAL STRIP(S)
1.25" (31.76 mm) @ 12" (30 cm) O.C. (TYP.)

METAL STUDS @ 16" (400 mm) O.C.

16" (400 mm) O.C. (TYP. STUD SPACING)

5/8" (15.9mm) FIRE RATED GYPSUM BOARD

ARCOPLAST 3/8" (9.5 mm) ACRYLOYL
(ENGINEERED POLYMER) CEILING PANEL

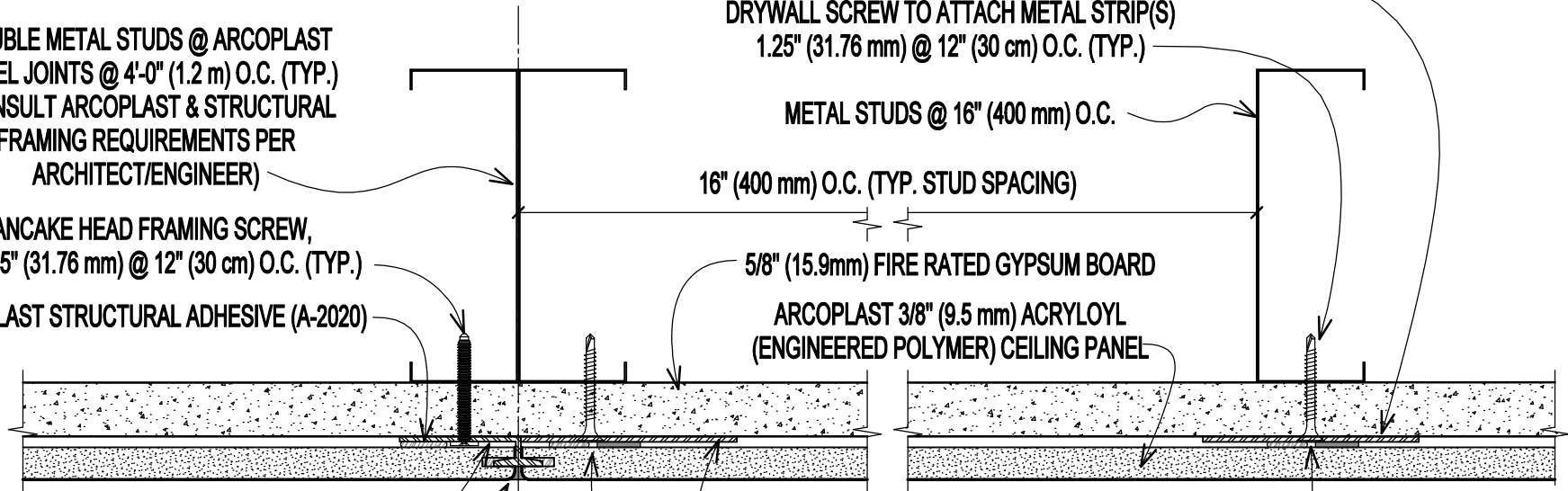
DOUBLE METAL STUDS @ ARCOPLAST
PANEL JOINTS @ 4'-0" (1.2 m) O.C. (TYP.)
(CONSULT ARCOPLAST & STRUCTURAL
FRAMING REQUIREMENTS PER
ARCHITECT/ENGINEER)

PANCAKE HEAD FRAMING SCREW,
#8 x 1.25" (31.76 mm) @ 12" (30 cm) O.C. (TYP.)
ARCOPLAST STRUCTURAL ADHESIVE (A-2020)

ARCOPLAST EXTRUDED ALUMINUM SPLINE
ARCOPLAST BIO-SEAL (A-1010)
WHITE FINISHING COMPOUND

POSITION NEXT TO SPLINE ATTACHMENT
16 GAUGE GALVANIZED METAL FURRING STRIPS
2.5" (63.5 mm) x CONTINUOUS LENGTH

1/2" WIDE 3M TWO SIDED TAPE (VHB-4956) W/
CONTINUOUS BEAD OF ARCOPLAST STRUCTURAL
ADHESIVE (A-2020), SIDE BY SIDE, ADHESIVE SHALL
BE LOCATED CLOSEST TO ARCOPLAST SPLINE



ACRYLOYL (ENGINEERED POLYMER) CEILING PANEL OVER GYPSUM BOARD SPLINE ASSEMBLY

DWG #
CDA-2-EP

SCALE
6" (1:2)

DATE
2/20/2020

CHECKED
GB



1873 WILLIAMSTOWN DRIVE
 ST. PETERS, MISSOURI USA 63376
 T: 888-736-2726 F: 636-978-7782

WWW.ARCOPLAST.COM