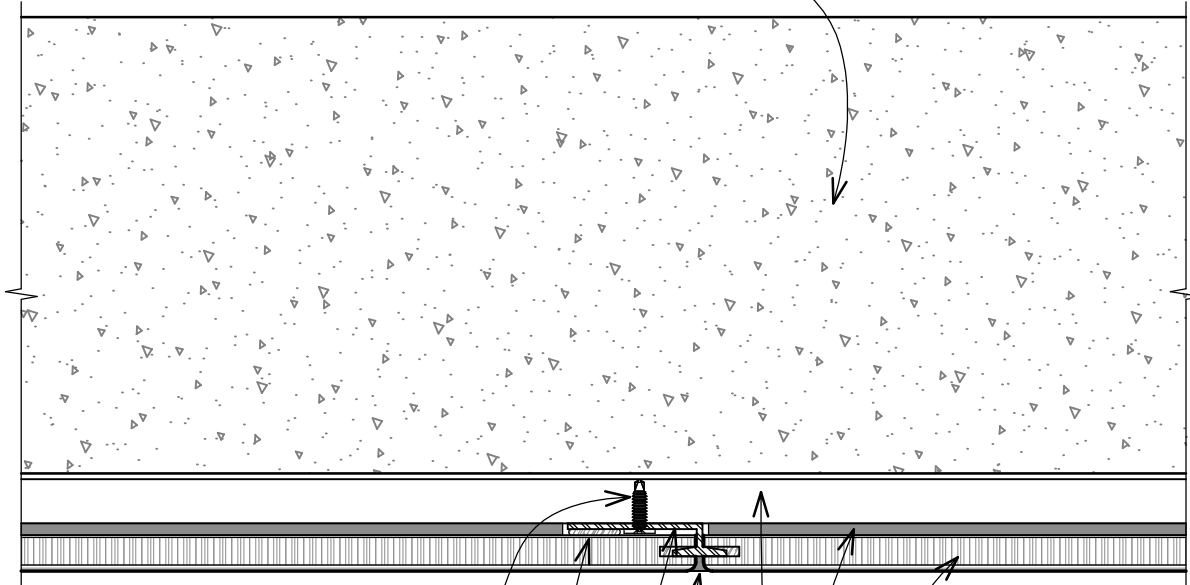


THE INFORMATION CONTAINED IN THIS DOCUMENT IS PROPRIETARY TO ARCOPLAST. ALL COPYRIGHTS AND OTHER PROPRIETARY RIGHTS APPLICABLE SHALL REMAIN AT ALL TIMES ARCOPLAST'S PROPERTY. DOCUMENTS SHALL NOT BE USED, COPIED OR HARVESTED FROM THE CAD FILE. THE INFORMATION CONTAINED WITHIN WITHOUT THE WRITTEN CONSENT OF ARCOPLAST. DOCUMENTS, DESIGNS, DRAWINGS AND SPECIFICATIONS ARE CONCEPTUAL IN NATURE AND ARE INTENDED TO SET FORTH DESIGN INTENT ONLY AND ARE NOT TO BE USED FOR ENGINEERING PURPOSES.

CONCRETE STRUCTURE



PANCAKE HEAD FRAMING SCREW,
#8 x 0.5" (12.7 mm) @ 12" (30 cm) O.C. (TYP.)

ARCOPLAST STRUCTURAL ADHESIVE (A-2020)

ARCOPLAST EXTRUDED ALUMINUM SPLINE

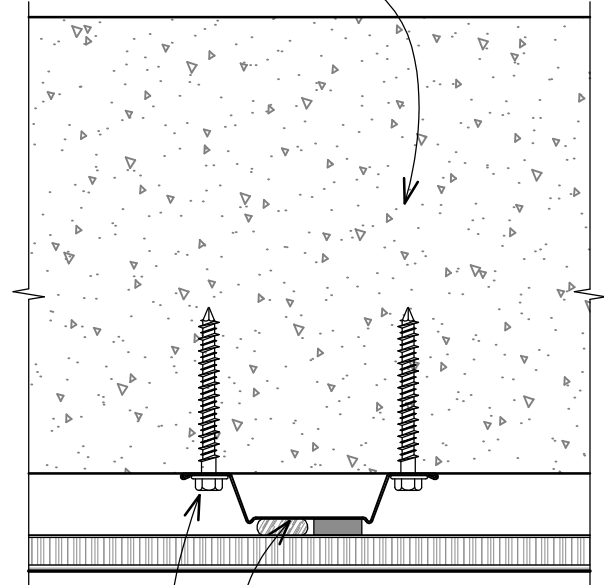
ARCOPLAST BIO-SEAL (A-1010)
WHITE FINISHING COMPOUND

ARCOPLAST 3/8" (9.5 mm) GFRMC
WALL PANEL

1/2" WIDE 3M TWO SIDED TAPE (VHB-4959) W/
CONTINUOUS BEAD OF ARCOPLAST STRUCTURAL
ADHESIVE (A-2020), SIDE BY SIDE

HAT FURRING CHANNEL. PERPENDICULAR
TO STRUCTURE, 12" (304.8 mm) O.C.

CONCRETE STRUCTURE



HAT FURRING CHANNEL. PERPENDICULAR
TO STRUCTURE, 12" (304.8 mm) O.C.

TAPCON 3/16" x 1 3/4" (4.7625 mm X 44.45 mm)
@ 24" (60.96 cm) O.C. (TYP.)

GFRMC CEILING PANEL SPLINE ASSEMBLY, CONCRETE STRUCTURE

DWG #
CDA-7-MC

SCALE
6" (1:2)

DATE
2/20/2020

CHECKED
GB



1873 WILLIAMSTOWN DRIVE
ST. PETERS, MISSOURI USA 63376
T: 888-736-2726 F: 636-978-7782

WWW.ARCOPLAST.COM