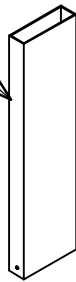
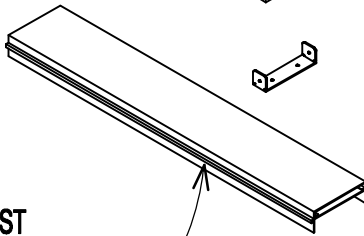


STANDARD ARCOPLAST WINDOW MULLION TUBE

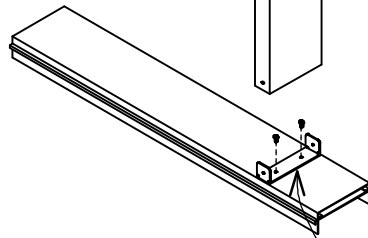


STANDARD ARCOPLAST WINDOW FRAME, TOP AND BOTTOM (TYP.)



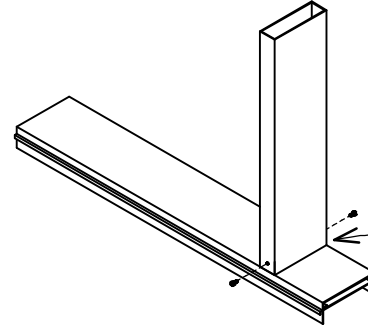
#1

#2



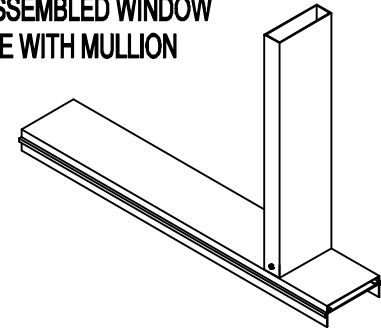
STANDARD ARCOPLAST U-BRACKET POSITIONED ONTO FRAME ATTACHED WITH SCREWS PROVIDED FOR ASSEMBLY

#3



FULLY ASSEMBLED WINDOW FRAME WITH MULLION

#4



WINDOW FRAME WITH MULLION TIGHT INTO POSITION, ATTACH U-BRACKET TO MULLION WITH SCREWS PROVIDED FOR ASSEMBLY

ALUMINUM WINDOW FRAME MULLION INSTALLATION PROCEDURE

DWG # WF-5	SCALE N.T.S.
DATE 3/6/17	CHECKED GB/KAW



1873 WILLIAMSTOWN DRIVE
ST. PETERS, MISSOURI USA 63376
T: 888-736-2726 F: 636-978-7782

WWW.ARCOPLAST.COM