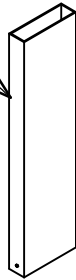
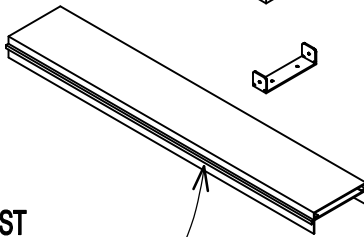


THE INFORMATION CONTAINED IN THIS DOCUMENT IS PROPRIETARY TO ARCOPLAST. ALL COPYRIGHTS AND OTHER PROPRIETARY RIGHTS APPLICABLE SHALL REMAIN AT ALL TIMES ARCOPLAST'S PROPERTY. DOCUMENTS SHALL NOT BE USED, COPIED OR HARVESTED FROM THE CAD FILE. THE INFORMATION CONTAINED WITHIN WITHOUT THE WRITTEN CONSENT OF ARCOPLAST. DOCUMENTS, DESIGNS, DRAWINGS AND SPECIFICATIONS ARE CONCEPTUAL IN NATURE AND AND ARE INTENDED TO SET FORTH DESIGN INTENT ONLY AND ARE NOT TO BE USED FOR ENGINEERING PURPOSES.

STANDARD ARCOPLAST WINDOW MULLION TUBE

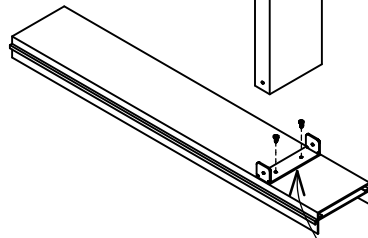


STANDARD ARCOPLAST WINDOW FRAME, TOP AND BOTTOM (TYP.)



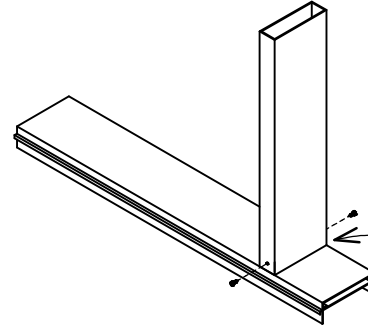
#1

#2



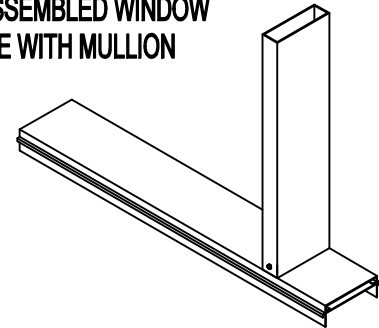
STANDARD ARCOPLAST U-BRACKET POSITIONED ONTO FRAME ATTACHED WITH SCREWS PROVIDED FOR ASSEMBLY

#3



FULLY ASSEMBLED WINDOW FRAME WITH MULLION

#4



WINDOW FRAME WITH MULLION TIGHT INTO POSITION, ATTACH U-BRACKET TO MULLION WITH SCREWS PROVIDED FOR ASSEMBLY

ALUMINUM WINDOW FRAME MULLION INSTALLATION PROCEDURE

DWG # WF-5	SCALE N.T.S.
DATE 2/20/2020	CHECKED GB/KAW



1873 WILLIAMSTOWN DRIVE
ST. PETERS, MISSOURI USA 63376
T: 888-736-2726 F: 636-978-7782

WWW.ARCOPLAST.COM