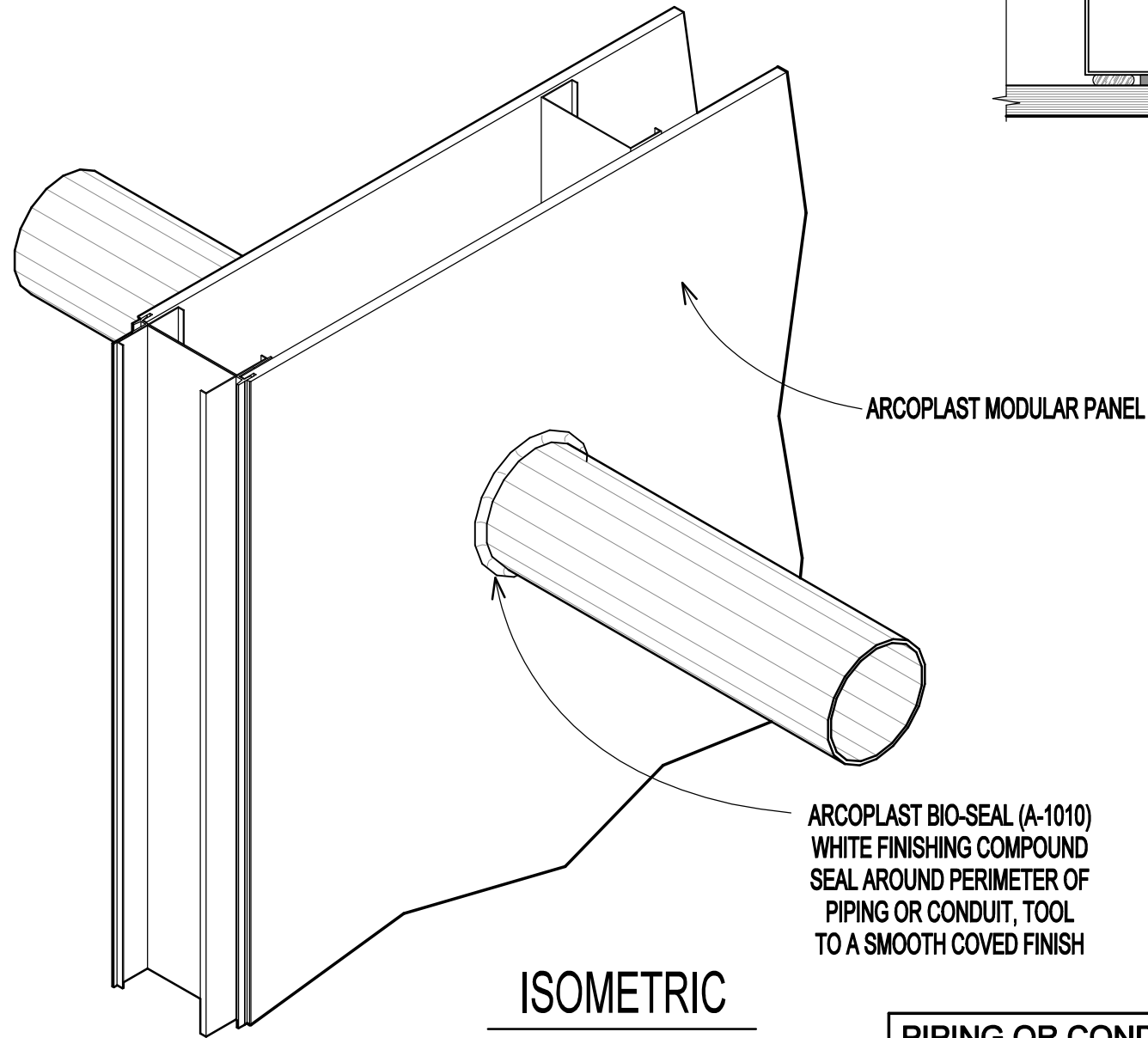


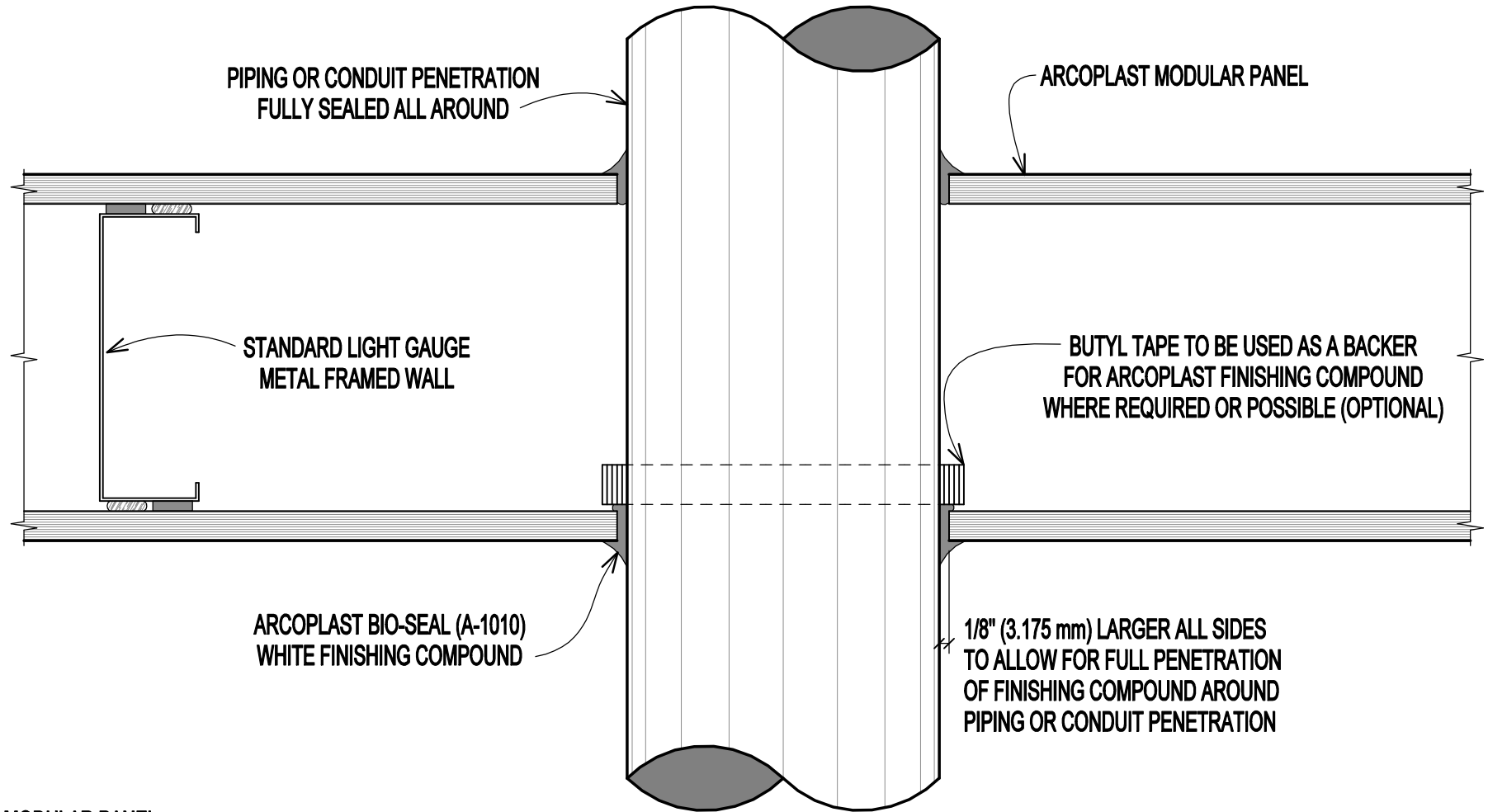
THE INFORMATION CONTAINED IN THIS DOCUMENT IS PROPRIETARY TO ARCOPLAST. ALL COPYRIGHTS AND OTHER PROPRIETARY RIGHTS APPLICABLE SHALL REMAIN AT ALL TIMES ARCOPLAST'S PROPERTY. DOCUMENTS SHALL NOT BE USED, COPIED OR HARVESTED FROM THE CAD FILE. THE INFORMATION CONTAINED WITHIN WITHOUT THE WRITTEN CONSENT OF ARCOPLAST. DOCUMENTS, DESIGNS, DRAWINGS AND SPECIFICATIONS ARE CONCEPTUAL IN NATURE AND ARE INTENDED TO SET FORTH DESIGN INTENT ONLY AND ARE NOT TO BE USED FOR ENGINEERING PURPOSES.



ISOMETRIC

N.T.S.

ARCOPLAST BIO-SEAL (A-1010)
WHITE FINISHING COMPOUND
SEAL AROUND PERIMETER OF
PIPING OR CONDUIT, TOOL
TO A SMOOTH COVERED FINISH



SECTION

6" (1:2)

OPTIONAL SEALING ASSEMBLY MATERIAL:
ONE COMPONENT URETHANE ADHESIVE,
TO BE UTILIZED IN AREAS OF STRUCTURAL
AND MECHANICAL MOVEMENT IN SYSTEMS

PIPING OR CONDUIT PENETRATION INSTALLATION

DWG #
P-4
DATE
2/20/2020

SCALE
NOTED
CHECKED
GB



1873 WILLIAMSTOWN DRIVE
ST. PETERS, MISSOURI USA 63376
T: 888-736-2726 F: 636-978-7782

arcoplast[®]
WALL AND CEILING SYSTEMS

WWW.ARCOPLAST.COM