

THE INFORMATION CONTAINED IN THIS DOCUMENT IS PROPRIETARY TO ARCOPLAST. ALL COPYRIGHTS AND OTHER PROPRIETARY RIGHTS APPLICABLE SHALL REMAIN AT ALL TIMES ARCOPLAST'S PROPERTY. DOCUMENTS SHALL NOT BE USED, COPIED OR HARVESTED FROM THE CAD FILE. THE INFORMATION CONTAINED WITHIN WITHOUT THE WRITTEN CONSENT OF ARCOPLAST. DOCUMENTS, DESIGNS, DRAWINGS AND SPECIFICATIONS ARE CONCEPTUAL IN NATURE AND AND ARE INTENDED TO SET FORTH DESIGN INTENT ONLY AND ARE NOT TO BE USED FOR ENGINEERING PURPOSES.

**16 GAUGE GALVANIZED METAL FURRING STRIPS**  
**2.5" (63.5 mm) x CONTINUOUS LENGTH**  
**SPACED AT 16" (400 mm) O.C. (TYP.) OR**  
**AT LOCATIONS OF STUD SPACING**

**DRYWALL SCREW TO ATTACH METAL STRIP(S)**  
**1.25" (31.76 mm) @ 12" (30 cm) O.C. (TYP.)**

**METAL STUDS @ 16" (400 mm) O.C.**

**METAL STUDS @ 16" (400 mm) O.C.**

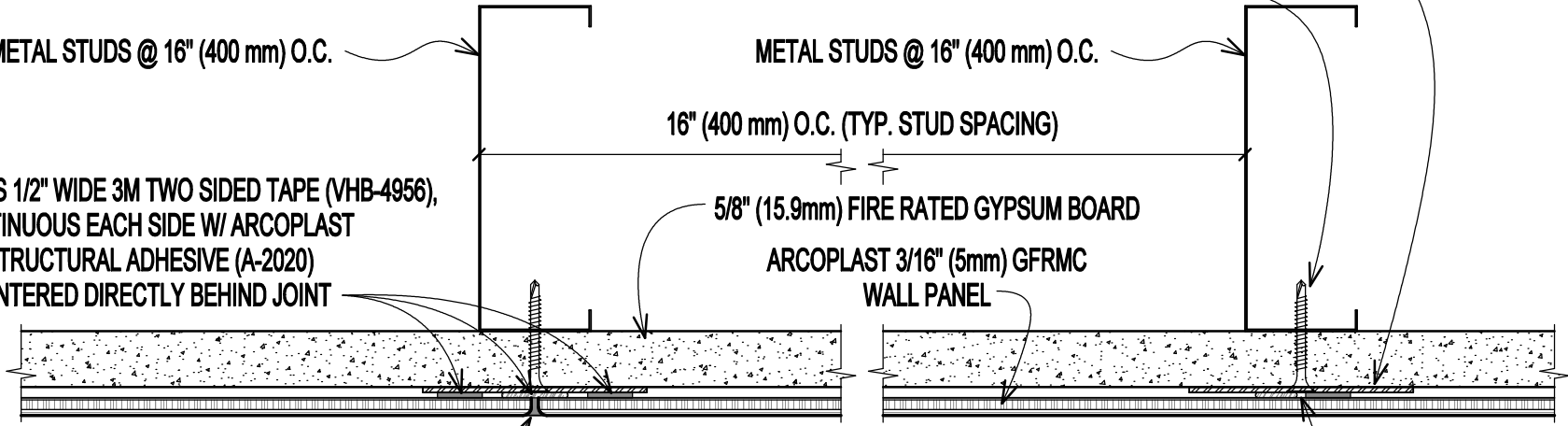
**16" (400 mm) O.C. (TYP. STUD SPACING)**

**(2) TWO ROWS 1/2" WIDE 3M TWO SIDED TAPE (VHB-4956),**  
**CONTINUOUS EACH SIDE W/ ARCOPLAST**  
**STRUCTURAL ADHESIVE (A-2020)**  
**CENTERED DIRECTLY BEHIND JOINT**

**5/8" (15.9mm) FIRE RATED GYPSUM BOARD**  
**ARCOPLAST 3/16" (5mm) GFRMC**  
**WALL PANEL**

**ARCOPLAST BIO-SEAL (A-1010)**  
**WHITE FINISHING COMPOUND**

**1/2" WIDE 3M TWO SIDED TAPE (VHB-4956) W/**  
**CONTINUOUS BEAD OF ARCOPLAST STRUCTURAL**  
**ADHESIVE (A-2020), SIDE BY SIDE**



**GFRMC WALL PANEL OVER GYPSUM BOARD JOINT ASSEMBLY**

DWG #  
**PP-2-MC**

SCALE  
**6" (1:2)**

DATE  
**2/20/2020**

CHECKED  
**GB**



1873 WILLIAMSTOWN DRIVE  
 ST. PETERS, MISSOURI USA 63376  
 T: 888-736-2726 F: 636-978-7782

[WWW.ARCOPLAST.COM](http://WWW.ARCOPLAST.COM)