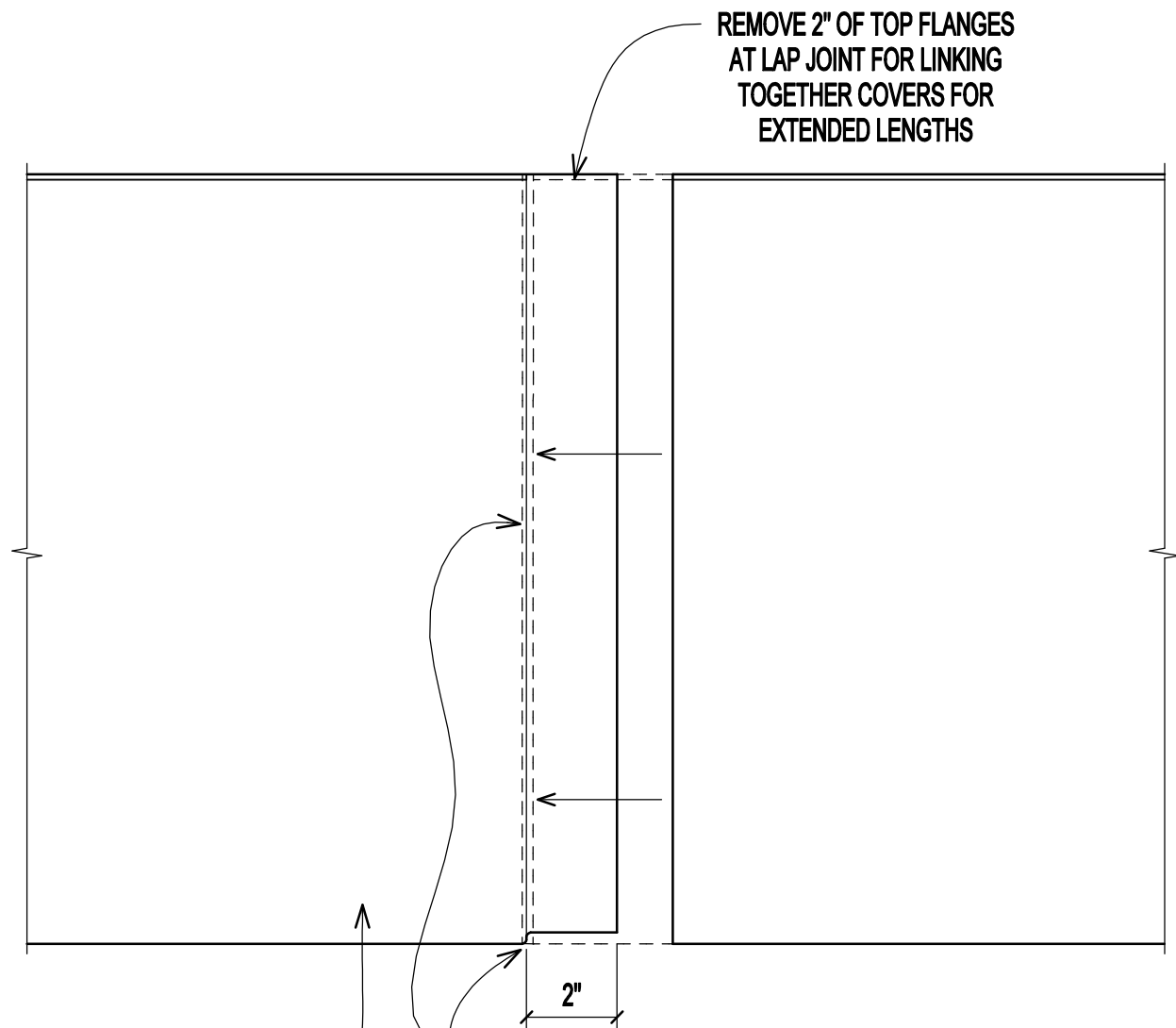
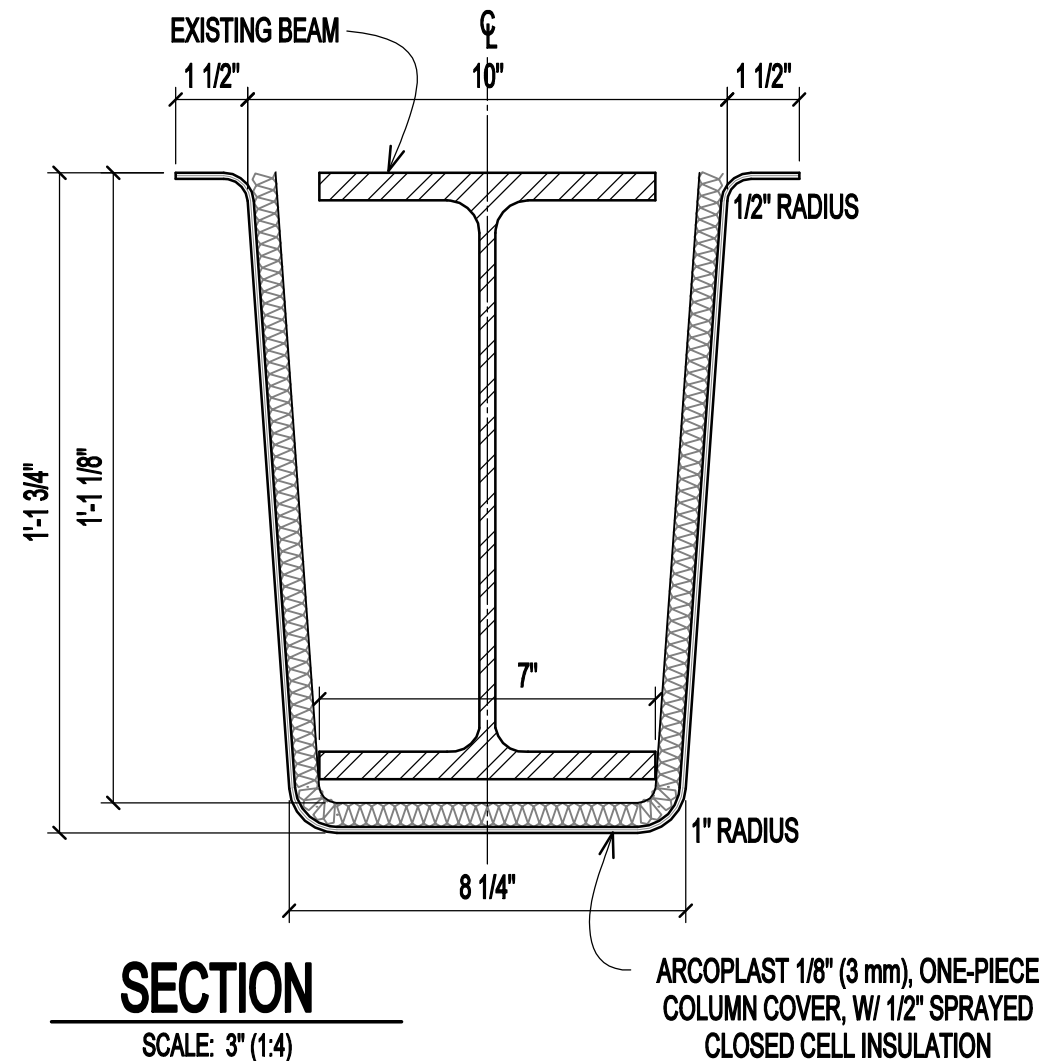


ELEVATION

SCALE: 3" (1:4)



INSULATED GFRP BEAM COVER

DWG # BC-1	SCALE NOTED
DATE 2/20/2020	CHECKED GB



1873 WILLIAMSTOWN DRIVE
ST. PETERS, MISSOURI USA 63376
T: 888-736-2726 F: 636-978-7782

WWW.ARCOPLAST.COM

THE INFORMATION CONTAINED IN THIS DOCUMENT IS PROPRIETARY TO ARCOPLAST. ALL COPYRIGHTS AND OTHER PROPRIETARY RIGHTS APPLICABLE SHALL REMAIN AT ALL TIMES ARCOPLAST'S PROPERTY. DOCUMENTS SHALL NOT BE USED, COPIED OR HARVESTED FROM THE CAD FILE. THE INFORMATION CONTAINED WITHIN WITHOUT THE WRITTEN CONSENT OF ARCOPLAST. DOCUMENTS, DESIGNS, DRAWINGS AND SPECIFICATIONS ARE CONCEPTUAL IN NATURE AND AND ARE INTENDED TO SET FORTH DESIGN INTENT ONLY AND ARE NOT TO BE USED FOR ENGINEERING PURPOSES.